

■ SD-Floodlights

POLAR-I

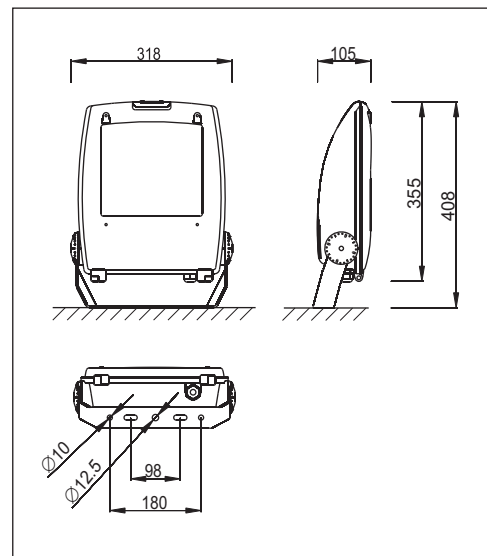
A high performance range of floodlights available for a wide range of discharge light sources and applications including building facades, industrial areas, loading bays and security.

For metal halide lamps or high pressure sodium for Max.150W RX7S and G12 lamp holders.

Die cast aluminium body coated with polyester in grey color.

Reflector made of highly pure aluminium sheet, polished and anodized.

Please contact our sales office for further details.

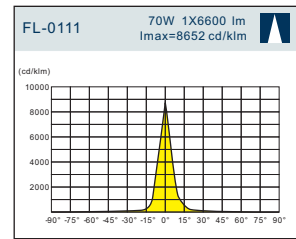




FL-0111

Lamp: MH 70/150W G12
Reflector: Circular Narrow

IP65



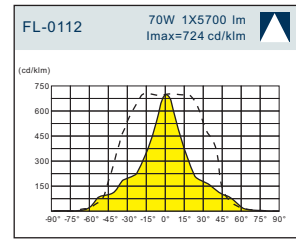
HEX



FL-0112

Lamp: MH 70/150W RX7S
Reflector: Symmetry Medium

IP65



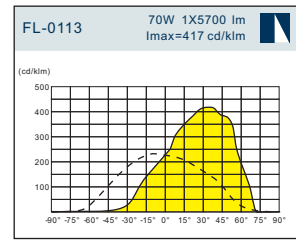
HAM+PLA



FL-0113

Lamp: MH 70/150W RX7S
Reflector: Asymmetry Width

IP65



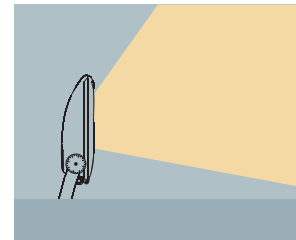
HAM+PLA



FL-0114

Lamp: MH 70/150W RX7S
Reflector: Asymmetry Width

IP65



POLAR-II

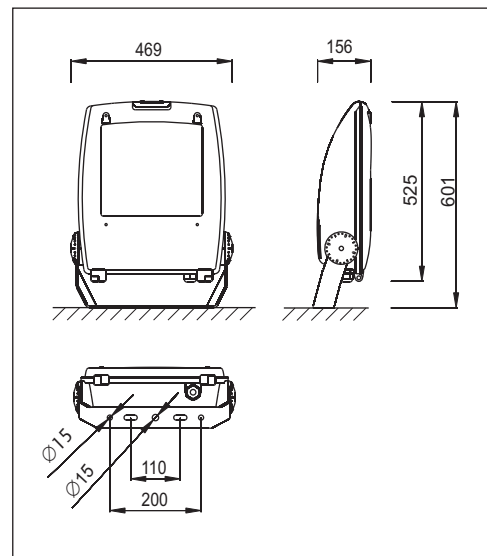
A high performance range of floodlights available for a wide range of discharge light sources and applications including building facades, industrial areas, loading bays and security.

For metal halide lamps or high pressure sodium for Max.400W E40 and E27 lamp holders.

Die cast aluminium body coated with polyester in grey color.

Reflector made of highly pure aluminium sheet, polished and anodized.

Please contact our sales office for further details.



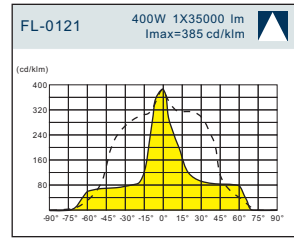


FL-0121

Lamp: MH 250/400W E40

Reflector: Symmetry Medium

IP65

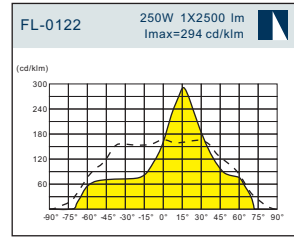


FL-0122

Lamp: MH 250/400W E40

Reflector: Asymmetry Medium

IP65

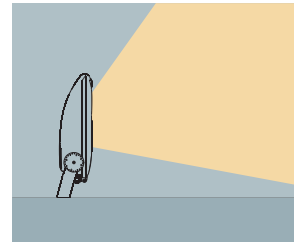


FL-0123

Lamp: MH 150W E27

Reflector: Asymmetry Width

IP65



Catis

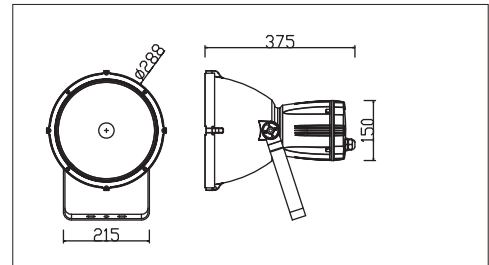
A high performance range of floodlights available for a wide range of discharge light sources and applications including building facades, industrial areas, loading bays and security.

For metal halide lamps or high pressure sodium for Max.250W E40 and G12 lamp holders.

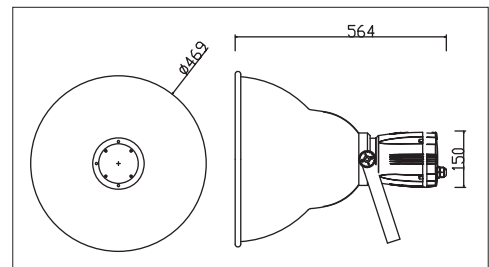
Die cast aluminium body coated with polyester in grey color.

Reflector made of highly pure aluminium sheet, polished and anodized.

Please contact our sales office for further details.



FL-0411

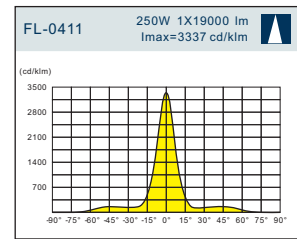


FL-0421 /FL-0422



FL-0411

Lamp: MH 150W G12
 Reflector: Circular Narrow
 IP65

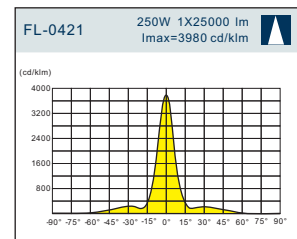


○ LIN



FL-0421

Lamp: MH 250W E40
 Reflector: Circular Narrow
 IP65

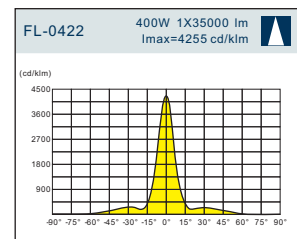


○ SAN

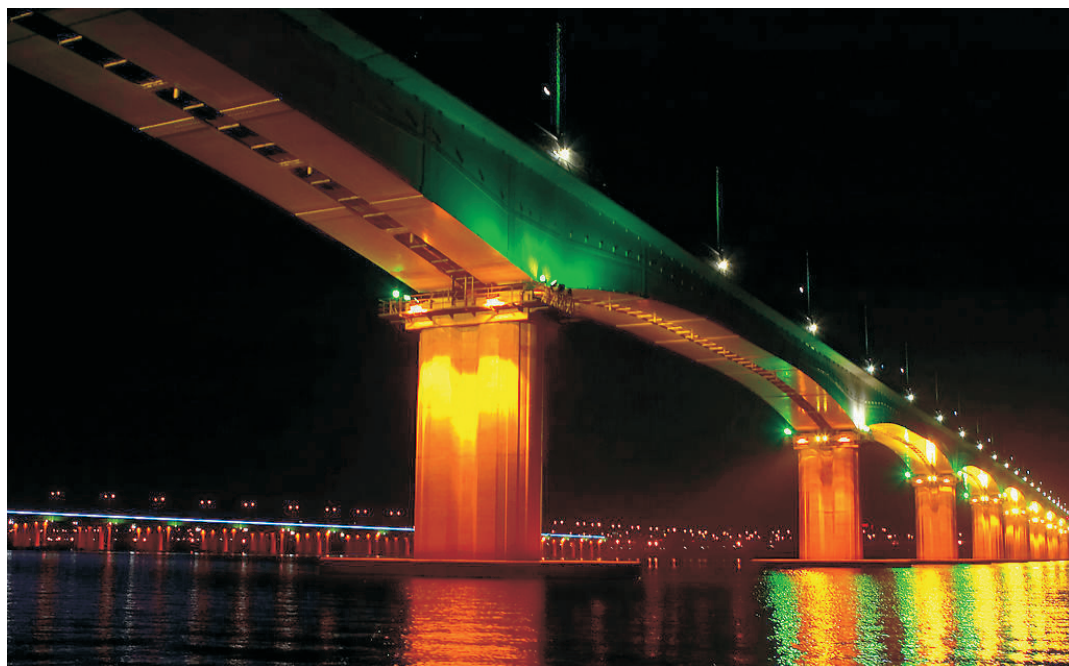


FL-0422

Lamp: MH 400W /1000W E40
 Reflector: Symmetry Medium
 IP65



○ SAN



FL-0511

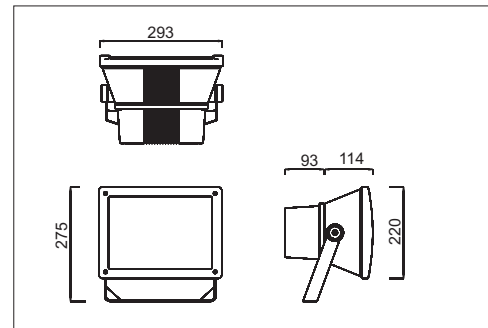
A high performance range of floodlights available for a wide range of discharge light sources and applications including building facades, industrial areas, loading bays and security.

For metal halide lamps or high pressure sodium for Max.400W E40 and RX7s lamp holders.

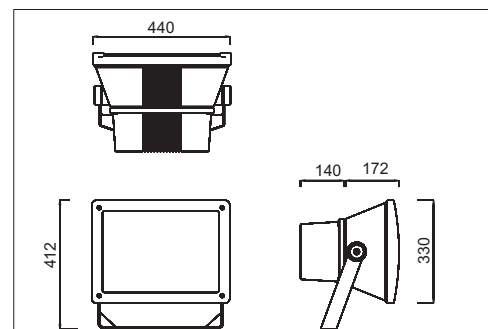
Die cast aluminium body coated with polyester in grey color.

Reflector made of highly pure aluminium sheet, polished and anodized.

Please contact our sales office for further details.



FL-0511



FL-0521

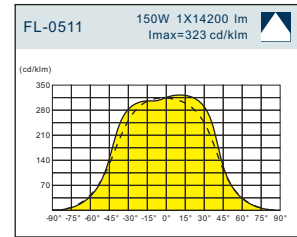


FL-0511

Lamp: MH 70W/150W RX7S

Reflector: Symmetry Width

IP65      



 HAM

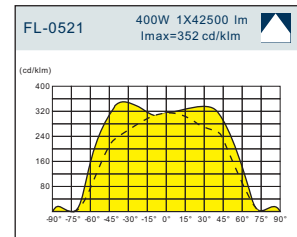


FL-0521

Lamp: MH 250W/400W E40

Reflector: Symmetry Width

IP65      



 HAM



FL-4011

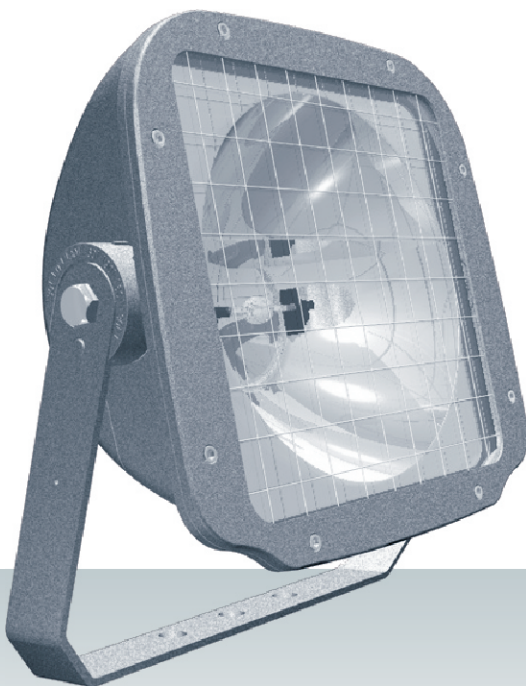
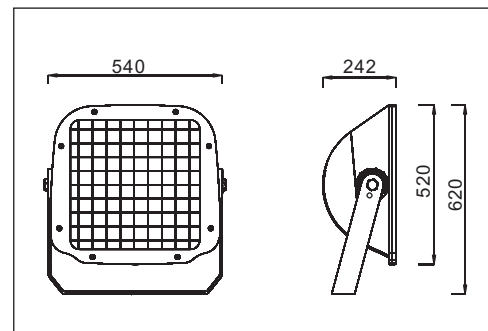
A high performance range of floodlights available for a wide range of discharge light sources and applications including building facades, industrial areas, loading bays and security.

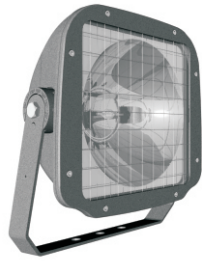
For metal halide lamps for Max.1800W Cable lamp holders.

Die cast aluminium body coated with polyester in grey color.

Reflector made of highly pure aluminium sheet, polished and anodized.

Please contact our sales office for further details.



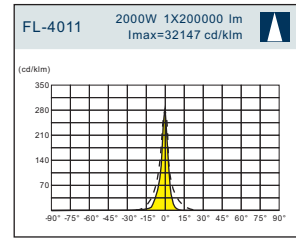


FL-4011

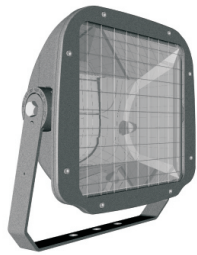
Lamp: MH 1000W/1800W Cable

Reflector: Circular Narrow

IP65      



 PLA

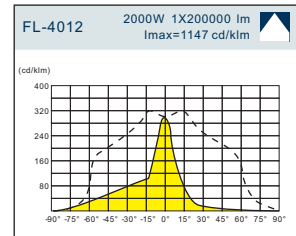


FL-4012

Lamp: MH 1000W/1800W Cable

Reflector: Asymmetry Width

IP65      



 PLA



Forpass

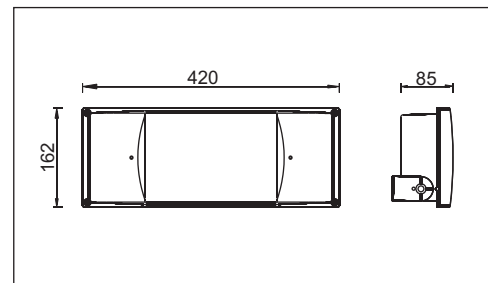
A high performance range of floodlights available for a wide range of discharge light sources and applications including building facades, industrial areas, loading bays and security.

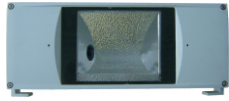
For metal halide lamps or high pressure sodium for Max.150W R7S lamp holders.

Die cast aluminium body coated with polyester in grey or black color.

Reflector made of highly pure aluminium sheet, polished and anodized.

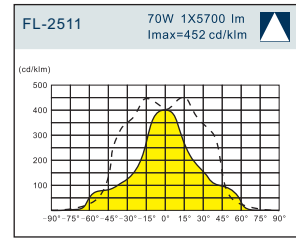
Please contact our sales office for further details.





FL-2511

Lamp: MH 70W/150W G12
Reflector: Symmetry Medium
IP65

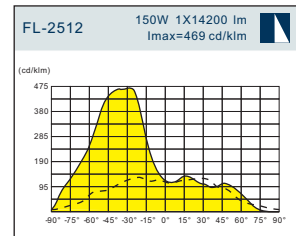


HAM+PLA

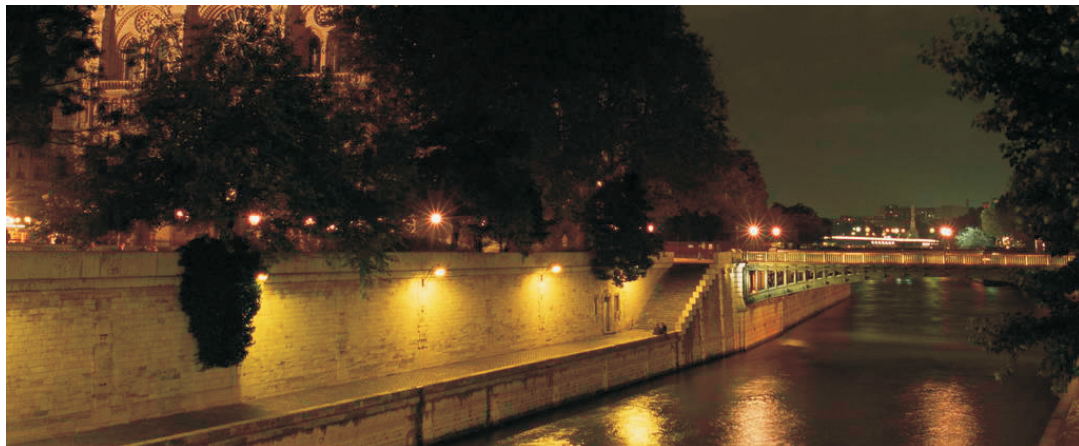


FL-2512

Lamp: MH 70W/150W RX7S
Reflector: Asymmetry Width
IP65



HAM+PLA



FL-3811

A high performance range of floodlights available for a wide range of discharge light sources and applications including building facades, industrial areas, loading bays and security.

For metal halide lamps or high pressure sodium for Max.150W RX7S lamp holders. Die cast aluminium body coated with polyester in grey or black color.

Reflector made of highly pure aluminium sheet, polished and anodized.

Please contact our sales office for further details.

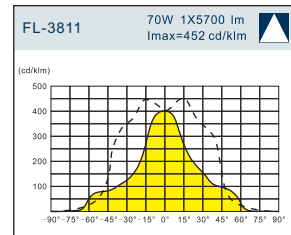


FL-3811

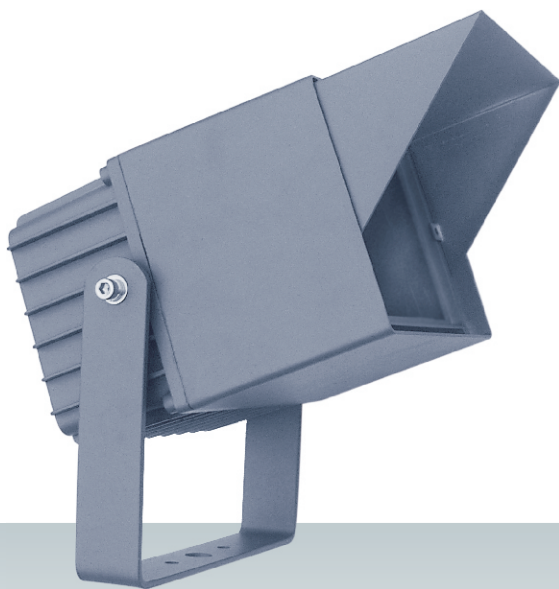
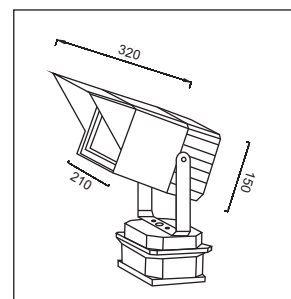
Lamp: MH 70W/150W RX7S

Reflector: Symmetry Medium

IP65



PLA



FL-1911

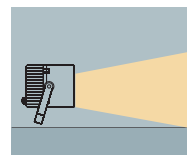
A high performance range of floodlights available for a wide range of discharge light sources and applications including building facades, industrial areas, loading bays and security.

For metal halide lamps or high pressure sodium for Max.150W RX7S/G12 lamp holders.

Die cast aluminium body coated with polyester in grey or black color.

Reflector made of highly pure aluminium sheet, polished and anodized.

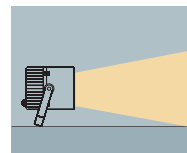
Please contact our sales office for further details.



FL-1911

Lamp: MH 70W/150W G12
Reflector: Circular Narrow

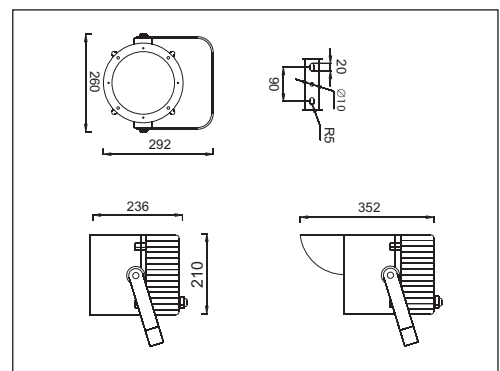
IP65     



FL-1912

Lamp: MH 70W/150W RX7S
Reflector: Circular Narrow

IP65     



Staff

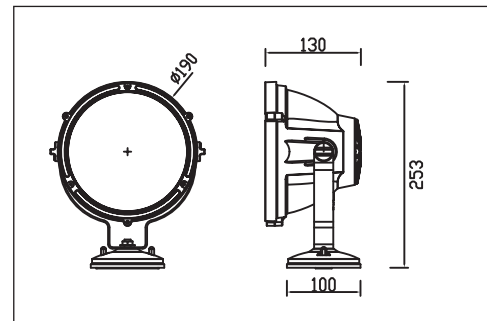
A high performance range of floodlights available for a wide range of discharge light sources and applications including building facades, industrial areas, loading bays and security.

For metal halide /high pressure sodium or halogen lamps for Max.300W R7s lamp holders.

Die cast aluminium body coated with polyester in grey or black color.






Reflector made of highly pure aluminium sheet, polished and anodized.

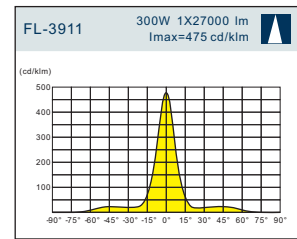
Please contact our sales office for further details.





FL-3911

Lamp: HL 300W R7s
Reflector: Circular Narrow
IP65     

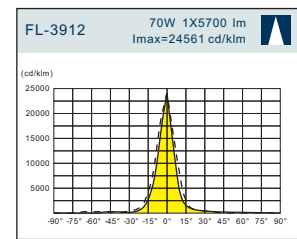


 SAN



FL-3912

Lamp: MH 70W/150W RX7S
Reflector: Circular Narrow
IP65     

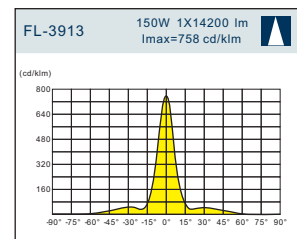


 SAN

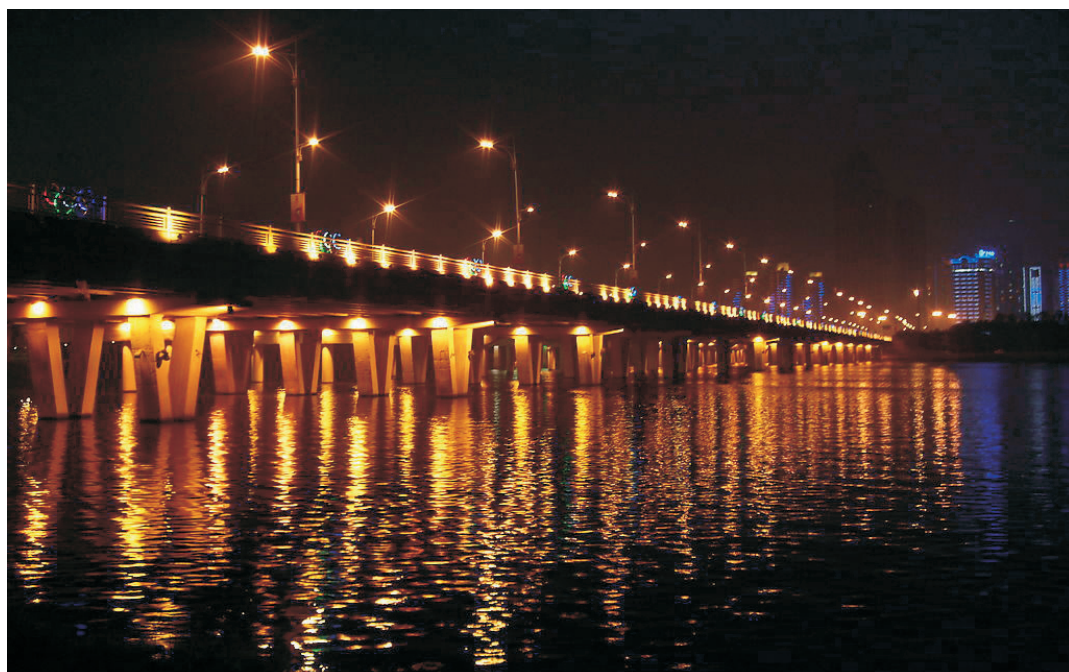


FL-3913

Lamp: MH 70W/150W G12
Reflector: Circular Narrow
IP65     



 SAN



FL-2411

A high performance range of floodlights available for a wide range of discharge light sources and applications including building facades, industrial areas, loading bays and security.

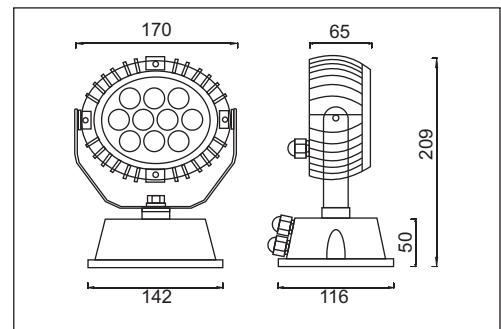
For LED lamps for 10X1W.

Die cast aluminium body coated with polyester in grey or black color.

Please contact our sales office for further details.



- ● **FL-2411**
- ● Lamp: LED 10X1W
- ● Angle: Narrow
- ● IP65                  



FL-2811

A high performance range of floodlights available for a wide range of discharge light sources and applications including building facades, loading bays and security. For LED lamps 36X1W.

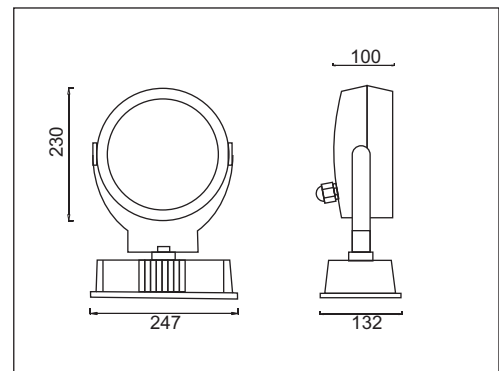
Die cast aluminium body coated with polyester in grey or black color.

Reflector made of highly pure aluminium sheet, polished and anodized.

Please contact our sales office for further details.



-   **FL-2811**
-   Lamp: LED 36X1W
-   Angle: Narrow/Medium
-      



FL-2711

A high performance range of floodlights available for a wide range of discharge light sources and applications including building facades, industrial areas, loading bays and security.

For LED lamps for Max.36X1W.

Die cast aluminium body coated with polyester in grey or black color.

Reflector made of highly pure aluminium sheet, polished and anodized.

Please contact our sales office for further details.



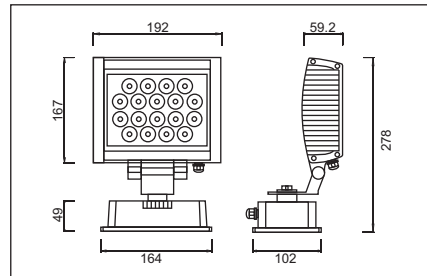
FL-2711
 Lamp: LED 18X1W
 Angle: Narrow

 IP65

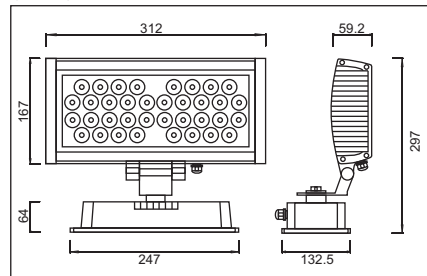
FL-2721
 Lamp: LED 36X1W
 Angle: Medium

 IP65

FL-2711



FL-2721



FL-0911

A high performance range of floodlights available for a wide range of discharge light sources and applications including building facades, industrial areas, loading bays and security.

For metal halide lamps or high pressure sodium for Max. 70W PAR38 E27 lamp holders. Die cast aluminium body coated with polyester in grey or black color. Please contact our sales office for further details.



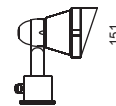
FL-0911

Lamp: MR16 E27
 Angle: Narrow/Medium
 IP65



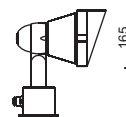
FL-0921

Lamp: PAR 20 E27
 Angle: Narrow/Medium
 IP65



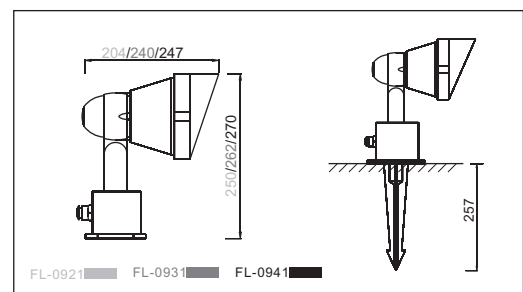
FL-0931

Lamp: PAR 30 E27
 Angle: Narrow/Medium
 IP65



FL-0941

Lamp: PAR 38 E27
 Angle: Narrow/Medium
 IP65



FL-2011

A high performance range of floodlights available for a wide range of discharge light sources and applications including building facades, industrial areas, loading bays and security.

For PAR30/38, metal halide lamps or high pressure sodium for Max.80W E27/G12 lamp holders.

Die cast aluminium body coated with polyester in grey or black color.

Reflector made of highly pure aluminium sheet, polished and anodized.

Please contact our sales office for further details.



FL-2011

Lamp: MH 70W G12
Reflector: Circular Narrow
IP65



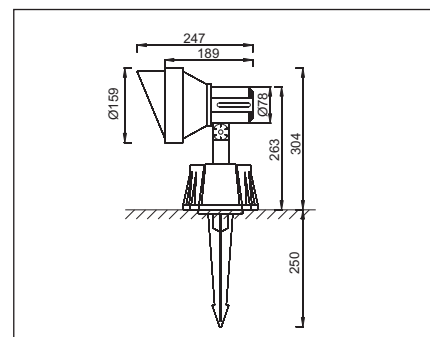
FL-2012

Lamp: PAR 30 70W E27
Angle: Medium/Narrow
IP65



FL-2013

Lamp: PAR 38 80W E27
Angle: Medium/Narrow
IP65



Cover-2



Cover-3



Cover-4



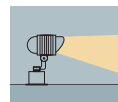
FL-3211

A high performance range of floodlights available for a wide range of discharge light sources and applications including building facades, loading bays and security. For PAR30, metal halide lamps for Max.70W E27/G12 lamp holders.

Die cast aluminium body coated with polyester in grey or black color.

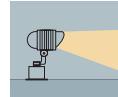
Reflector made of highly pure aluminium sheet, polished and anodized.

Please contact our sales office for further details.



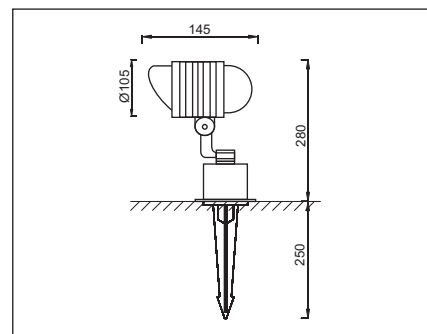
FL-3211

Lamp: MH 70W G12
Reflector: Circular Narrow
IP65      



FL-3212

Lamp: PAR 30 70W E27
Angle: Medium/Narrow
IP65      



Cover-2



Cover-3

FL-3611

A high performance range of floodlights available for a wide range of discharge light sources and applications including building facades, industrial areas, loading bays and security.

For MR16 lamps for Max.50W GU5.3 lamp holders.

Die cast aluminium body coated with polyester in grey or black color.

Please contact our sales office for further details.

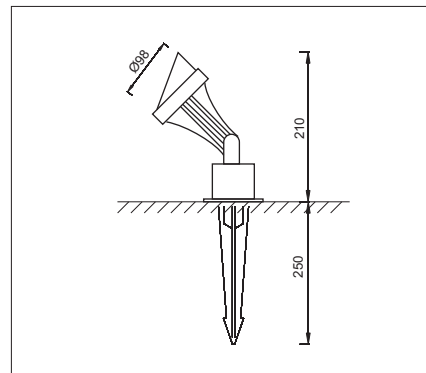


FL-3611

Lamp: MR 16 50W GU5.3

Angle: Narrow

IP65      





■ SD-Tunnel Lights